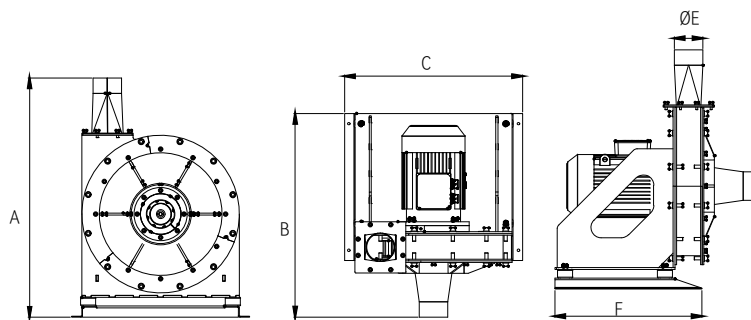




Insect Detacher

Insect detachers are essential in flour mills to ensure the highest levels of hygiene in the final product. These devices efficiently eliminate insects and larvae that may contaminate the flour, ensuring that only high-quality flour is delivered to customers. With high performance and low noise levels, insect detachers are easy to maintain and have a long service life, providing an effective solution for flour mills looking to maintain strict hygiene standards.



Model	Dimension (mm)						Capacity t/h	Motor kw	Weight kg		Gross Volume m ³
	A	B	C	øD	øE	F			Net	Gross	
TMBO-75	15001	400	1305	48	48	620	2	7,5	350	400	2
TMBO-11							4	11	375	450	
TMBO-15							6	15	400	475	
TMBO-18,5							8	18,5	425	500	
TMBO-22							12	22	450	525	
TMBO-30							15	30	475	550	