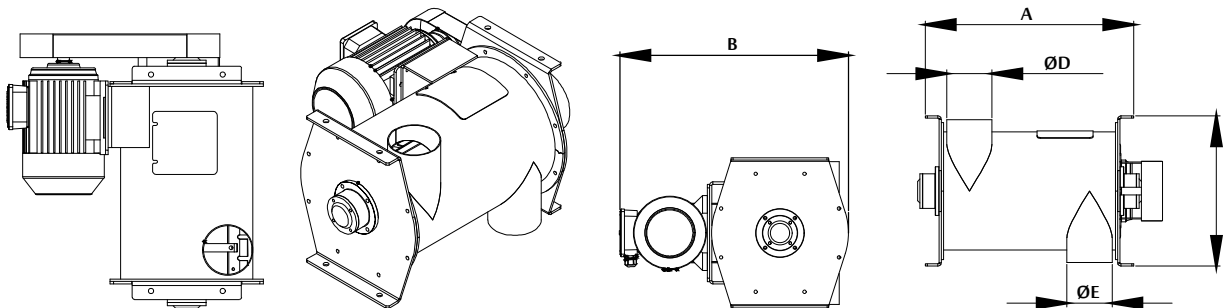




Drum Detacher

The Drum Detacher breaks endosperm flakes in flour production, offering high capacity and maximum extraction with low energy consumption and high efficiency. Its hygienic working environment and easy maintenance make it an ideal choice, and it can be installed on the floor or suspended from the ceiling. Its durability, low investment and operational costs, and compact design make it cost-effective for any production facility, with the added benefit of shortening the flour diagram.



Model	Dimension (mm)					Technical Specifications				
	A	B	C	D	ØE	Capacity kw	Motor kw	Weight kg		Gross Volume m ³
								Net	Gross	
TTIA-2,2	650	600	400	120	120	1,5	2,2	140	170	0,2
TTIA-3						2,5	3	160	190	