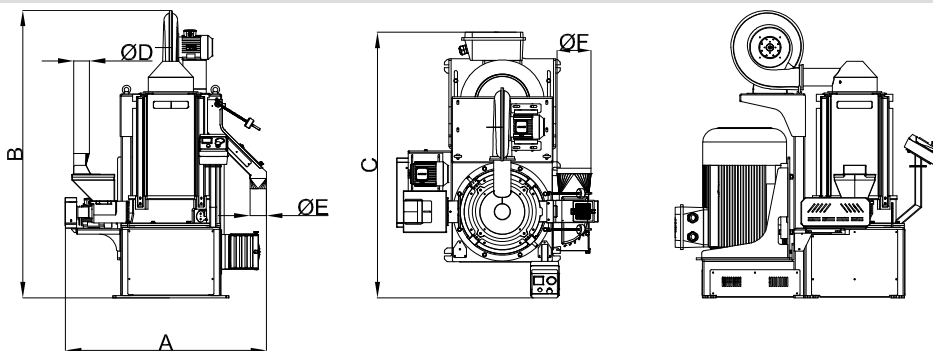




Corn Degerminator

The maize germ separator is a machine used in maize milling plants to prevent high oil content maize germs from entering the flour. Its features and advantages include flexible production extraction adjustment, high efficiency, and quality product. It also helps in lowering fat content below 1% and has a wide range of production scenarios with adjustable quality on the finished product.



Model	Dimension (mm)						Capacity t/h	Air Requirement	Motor kw			Weight kg		Gross Volume m ³
	A	B	C	ØD	ØE	ØF			Rotor E.M	Fan E.M	Helix E.M	Net	Gross	
TMDM-55	1600	2100	1950	ø150	ø150	ø250	3-3,5	1,5	55	1,5		1700	2000	7,3
TMDM-75							4-5		75	2,2		1950	2250	7,3